

Underwater Cutting Solutions (UCS) are a leading offshore contractor specialising in the cutting of submarine & Topside pipelines and structures using a range of purpose designed tools and techniques. UCS also provides a range of dredging equipment for diver and ROV use.

UCS cutting systems can be provided around the world with their experienced crews either on stand-by contingency basis or on a rapid deployment

Features & Benefits

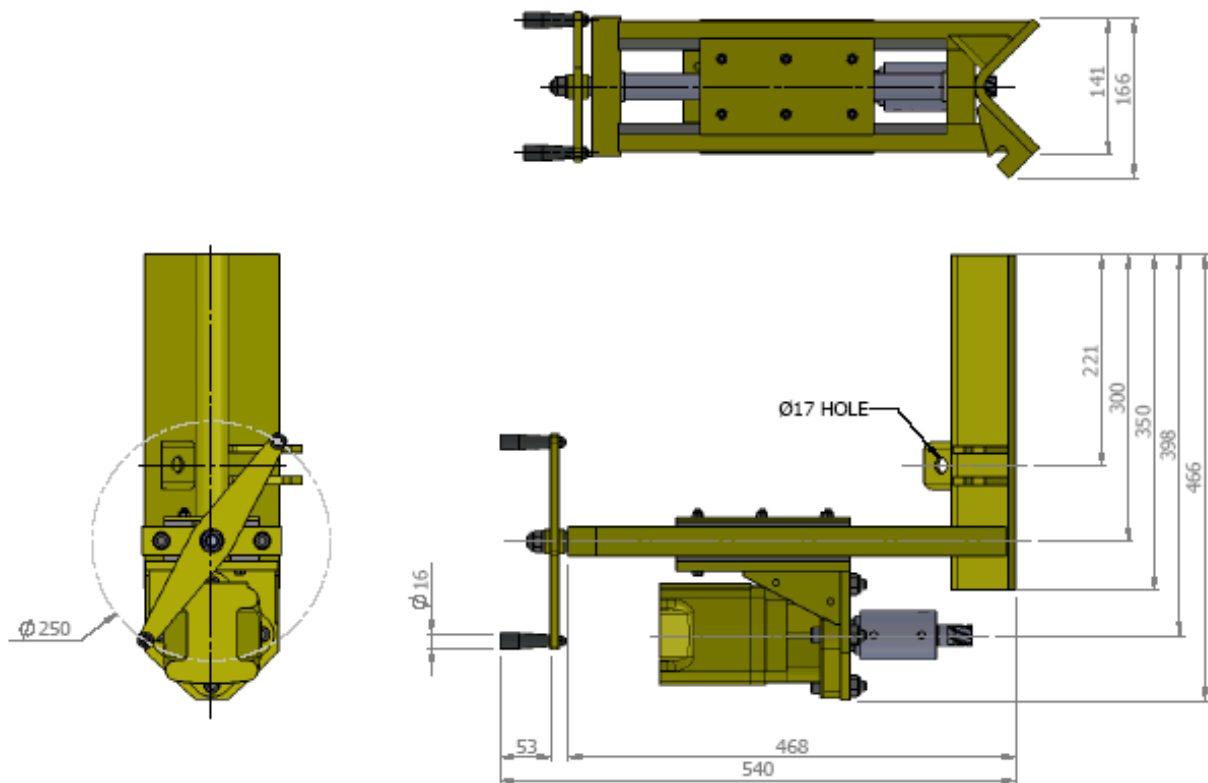
- ✓ **Fast and Accurate Cut**
- ✓ **Cuts up to 150mm**
- ✓ **Easily installed**
- ✓ **Diver friendly**
- ✓ **Proven Reliability**
- ✓ **Superior Performance**



The UCS Hydraulic Subsea Pedestal Drill has been developed to cut up 150mm (6") diameter holes and has a travel of 150mm (6"). The chuck can be fitted with either rotor broaches or twist drills. It includes a chain strap fastener which allows easy installation to pipelines, piles or any structure that the chain can be wrapped around. The chains are supplied a custom length to suit the requirements of the job.

An alternate base can be fitted to perform cuts on flat surfaces.

Cutting Capacity	150mm (6")		
Spindle Speed	Up to 275 rpm		
Slide Travel	150mm (6")		
Hydraulic Requirement	35-45 l/min (9.25-11.9 usgpm), Max 55 l/min (14.50 usgpm) 210Bar (3045 psi), Max 230Bar (3335 psi)		
Hydraulic Oil	ISO VG32 or Equivalent		
Mass in Air (approx)	30kg / 66.12 lb(without chain)		
Chain Length	Custom		
Dimensions	Length	Width	Height
	466mm 18.3"	166mm 6.5"	540mm 21.3"



Underwater Cutting Solutions Limited

Units 8/8a Inverurie Business Park, Souterford Avenue, Inverurie, Aberdeenshire
AB51 0ZJ. UK

Tel: +44 (0)467 622212 Email: admin@ucsltd.com